



GEOMETRIX 82mm Flat Panels and 82mm Wedge Panels/
DONN CENTRICITEE DXT Suspension System

ESD Information

Recycled Content: Up to 90%
CLIMAPLUS Superior Performance for Mould/Mildew

★ Contributes to Green Star points ✓ ESD additional advantages

IEQ						Ene	Mat
Increase Daylight Levels	Reduce Lighting Levels	Internal Noise Level Reduction ²	Low Volatile Organic Compounds	Low Formaldehyde	Mould Prevention	Lighting Density Reduction	Design For Disassembly
		★					✓

Features and Benefits

- Multiple profiles and depths lend new dimension to ceiling and wall design
- Panel depths ranging from 32mm to 82mm allow a spectrum of possibilities, from subtle textures to bold rhythms
- 600mm x 600mm lay-in panels are compatible with 15mm and 24mm Donn® brand suspension systems.
- Solid or perforated panels
- Available in Flat White, Silver Satin and custom colours for design versatility

Applications

- All commercial applications



Call USG Boral for colour samples

Painted Metals (HRC Finishes)



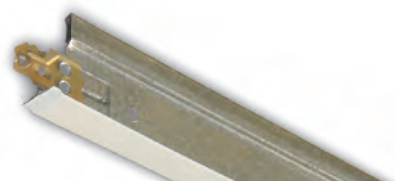
Flat White



Silver Satin 002

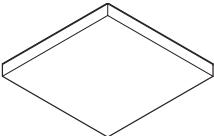
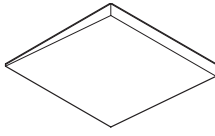
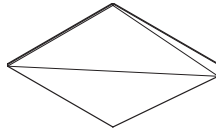
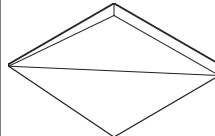
Grid Options









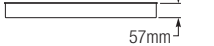

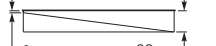

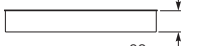
DONN CENTRICITEE 15mm



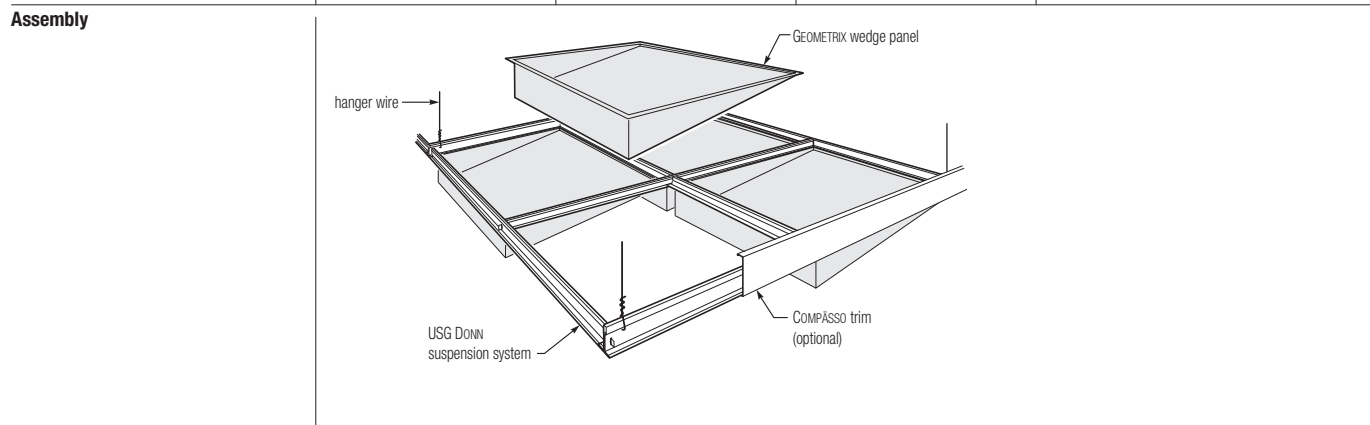
	Product Information		
	Materials	Size and Weight	Finishes
	Panels: Aluminum	Panels: 600mm x 600mm; Panel weight (for 82mm deep flat panel): 3.66Kg/m ² .	Panels are available in smooth metal or in a choice of five perforated patterns (C375, D250, D375, C062 and C062A). A black ACOUSTIBOND® backer is included on all perforated panels unless otherwise specified. ACOUSTIBOND backer is also available in white.

Acoustics	Description	Optional Acoustical Material	Sound Rating – NRC	
	Perforated panel	ACOUSTIBOND™ backer	Perforation A062	Perforation A116
			.65	.70

Panels	Configurations	Flat³	Wedge³	Inside Wedge Corner	Outside Wedge Corner
					

Depths				
				
				
				

Edge Details	GEOMETRIX Panels with 15mm CENTRICITEE™ DXT Suspension			
				



For More Information	Product literature System brochure: IC437 Data sheet: IC424-ANZ	Online tools usgdesignstudio.com.au	Safety First! Follow good safety and industrial hygiene practices during handling and installing of all products and systems. Take necessary precautions and wear the appropriate personal protective equipment as needed. Read material safety data sheets and related literature on products before specification and/or installation.	High Recycled Content Classified as containing greater than 50% total recycled content. Total recycled content is based on product composition of post-consumer and pre-consumer (post-industrial) recycled content per FTC guidelines.
	Recycled content GEOMETRIX aluminum panels: up to 90% recycled content.	Footnotes 1. GEOMETRIX panels also available in edge detail to suit 24mm DOWN DX. 2. Achieve up to .65 NRC with perforation pattern and ACOUSTIBOND backer. 3. Available pre-engineered utility circles accommodate lighting and utilities.		

